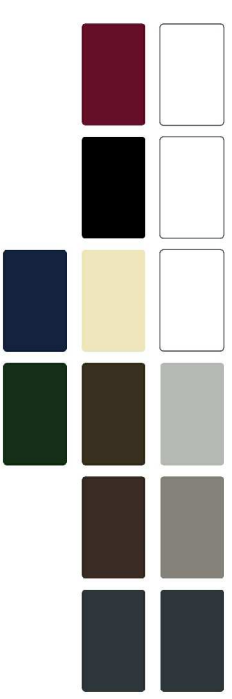
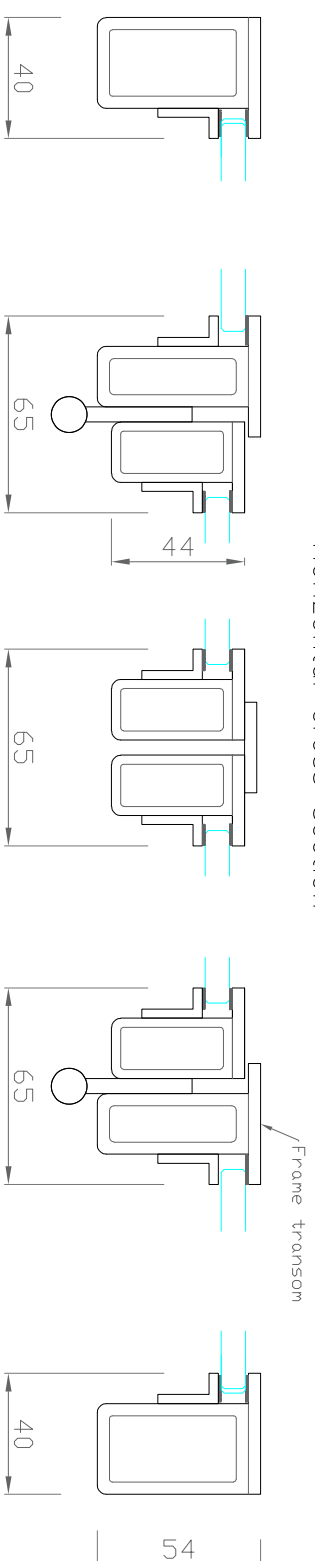


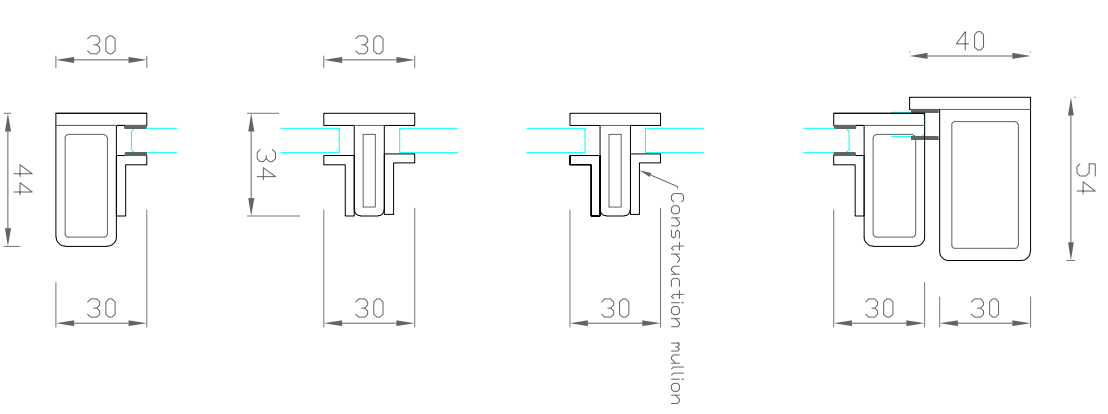
Inspiring colours and finishes for contemporary architecture and restoration projects. From our standard range to the full RAL spectrum of powder coating colours.



Horizontal cross section



Vertical cross section



NOTE: All dimension in millimeters

Global Doors And Windows LTD

Unit 4, Riverside Business Park
16 Lyon Road, South Wimbledon
London, SW19 3RL
info@globaldoorsandwindows.com
telephone 02085403833
mobile 07800601561



DRAWING TITLE:

Internal steel industrial screen

PROJECT:

DRAWING NO.:
GDW_CC01

DRW.:
ZW

DATE:
14.02.20

SCALE:
1:2₁

SIZE:
A3