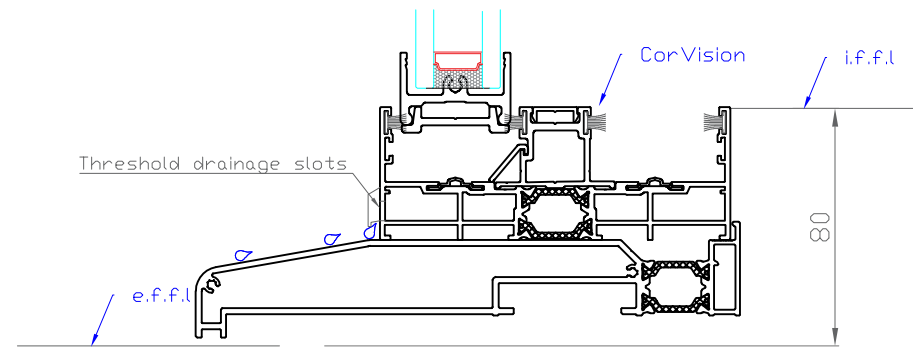
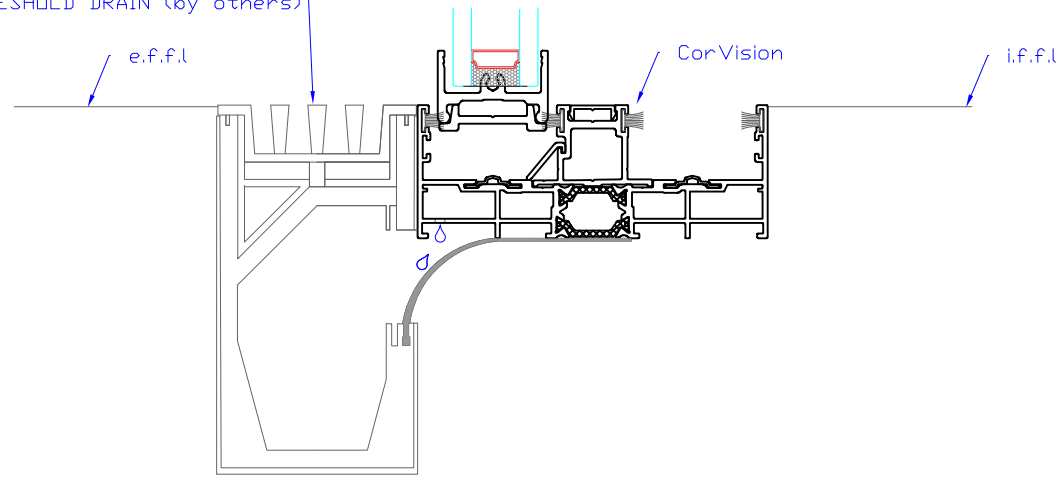


The same floor level option

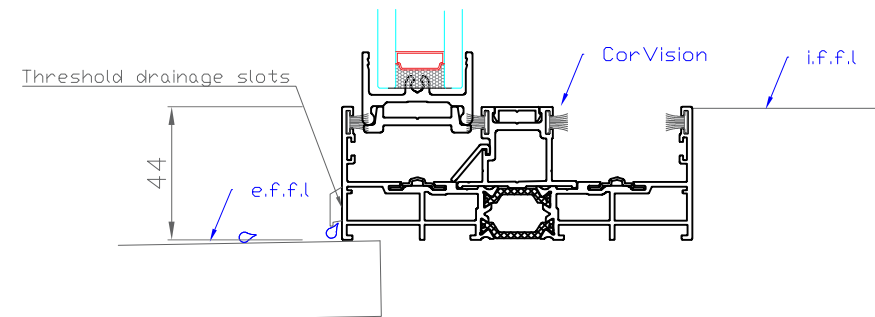
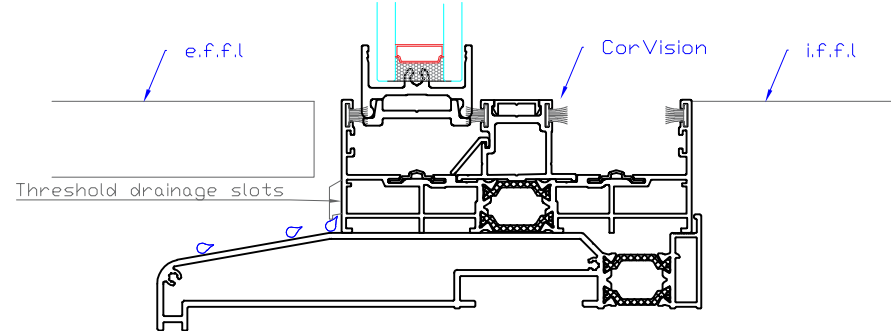
Standard door threshold
(min. 80mm floor level difference)

THE EVOLUTION OF THE AQUABOCCI
R-47
THRESHOLD DRAIN (by others)



Option with floor above the cill with
drainage underneath

Option with external floor underneath the
threshold



NOTE: All dimension in millimeters

Global Doors And Windows LTD

Unit 4, Riverside Business Park
16 Lyon Road, South Wimbledon
London, SW19 3RL
info@globaldoorsandwindows.com
telephone 02085403833
mobile 07800601561



DRAWING TITLE:
Cortizo CorVision - threshold options

PROJECT:

DRAWING NO.
GDW_CCD01

DRW:
ZW

DATE:
14.01.20

SCALE:
1:2₁

SIZE:
A3

