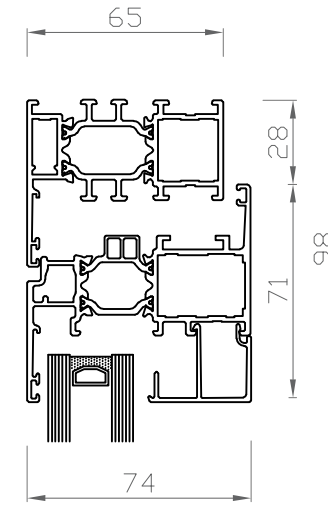


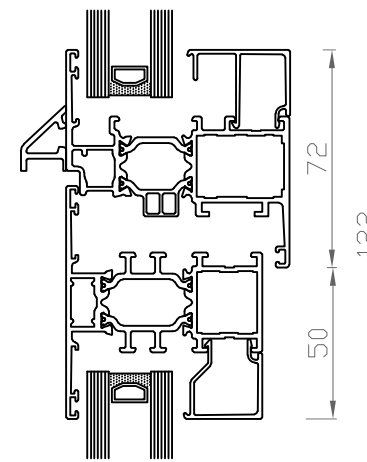


Vertical cross section

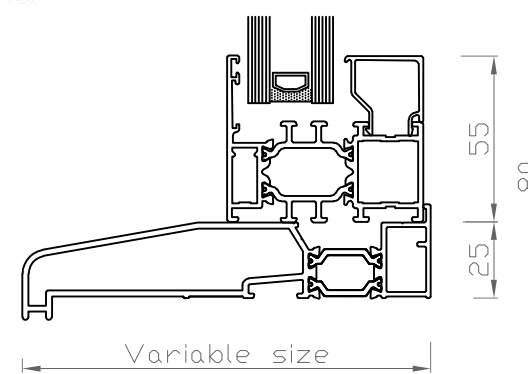
Head Frame Detail



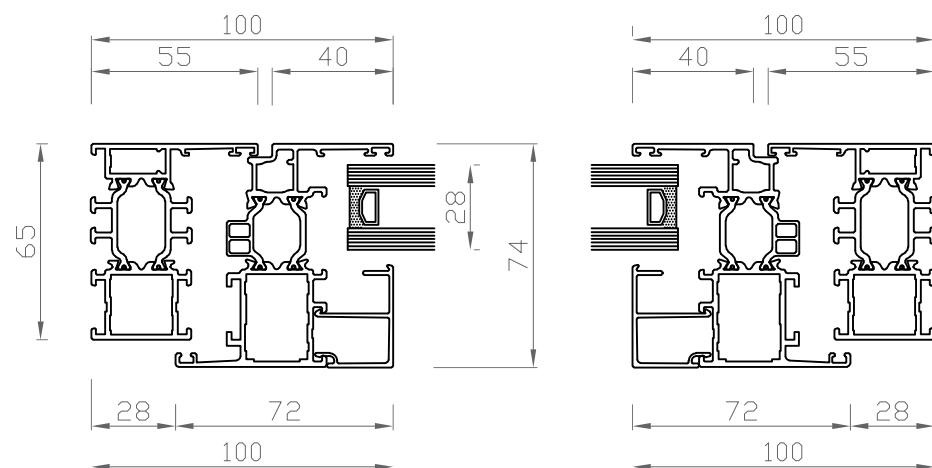
Transom Frame Detail



Bottom Frame Detail

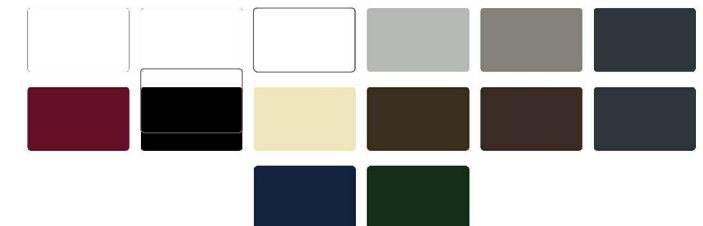


Horizontal cross section



Technical Information:
 Slide Folding Door Max Width (mm) 1200mm (per sash)
 Slide Folding Door Max Height (mm) 2500mm (per sash)
 Slide Folding Door Max Weight (kg) 100kg
 U Value 1.5W/m²K using 1.0 W/m²K centre pane

Inspiring colours and finishes for contemporary architecture and restoration projects. From our standard range to the full RAL spectrum of powder coating colours.



NOTE: All dimension in millimeters

Global Doors And Windows LTD

Unit 4, Riverside Business Park
 16 Lyon Road, South Wimbledon
 London, SW19 3RL
 info@globaldoorsandwindows.com
 telephone 02085403833
 mobile 07800601561



DRAWING TITLE:
Tilt & Turn – EcoFutural

PROJECT:

DRAWING NO. GDW_EF01 DRW: ZW

DATE: 14.01.20 SCALE: 1:2½ SIZE: A3

