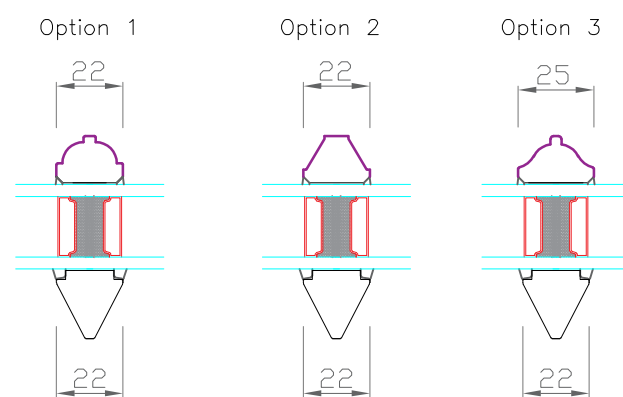


Stick on bars moulding cross section

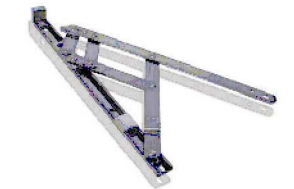


Standard ironmongery:

► Inline Handle



► Friction Hinges



For traditional casement window

► Victorian Stay



► Butt Hinges (frame colour match)



Standard ironmongery finish



Polished Brass Polished Chrome White Satin Chrome

NOTE: All dimension in millimeters

Global Doors And Windows LTD

Unit 4, Riverside Business Park
16 Lyon Road, South Wimbledon
London, SW19 3RL
info@globaldoorsandwindows.com
telephone 02085403833
mobile 07800601561



DRAWING TITLE:
Casement window – details

PROJECT:

DRAWING NO. GDW_CW01 DRW: ZW

DATE: 14.12.18 SCALE: 1:2.5 SIZE: A3

